

# E3 VALVE FOR PE FUSION

DN 50 – 200, PN 10 | PN 16

## Design features

- Resilient seated gate valve with PE fusion tails in combination with PE pipes according to EN 12201, DIN 8074
- This resilient seated valve has PE tails screwed and sealed into the sockets
- High performance sealing of the PE tails within the sockets is assured by two separate seals and a support liner
- The valve can be connected to the PE pipeline by either butt fusion or electrofusion
- One extension spindle for several dimensions
- Suitable for operation by automatic actuators
- Easy retrofitting of position indicator and automatic actuators on the standard bonnet
- Duplex stainless steel spindle

**Standard version:** without handwheel and extension spindle

**Special versions:** on request

## Material | technical features

### 1 PE-fusion tail

Standard version PE 100 injection moulded

**Support liner** DN 50 made of POM, from DN 65 – DN 200 made of stainless steel for PE-fusion tail(see drawing)

2 **Socket sealing** made of elastomer

3 **O-Ring** made of elastomer

## Suitable accessories

**Suitable accessories:** see page 48

Handwheel:		No. 7800
Extension spindles:	rigid	No. 9000 <b>E2/E3</b>
	telescopic	No. 9500 <b>E2/E3</b>
Surface boxes:	rigid	No. 1750
	telescopic	No. 2050, No. 2051K
Valve actuator:		No. 9920
Adapter for actuator ( <b>E2/E3</b> adapter):		No. 8630 <b>E2/E3</b>
Base plate:		No. 3481, No. 3482
Operating cap:		No. 2156, No. 2157, No. 2158
Extension spindle:		No. 7820, No. 7825
Position indicator:		No. 2170 <b>E2/E3</b>
HAWAK-pillar:		No. 9894, No. 9895

**No. 4050E3**

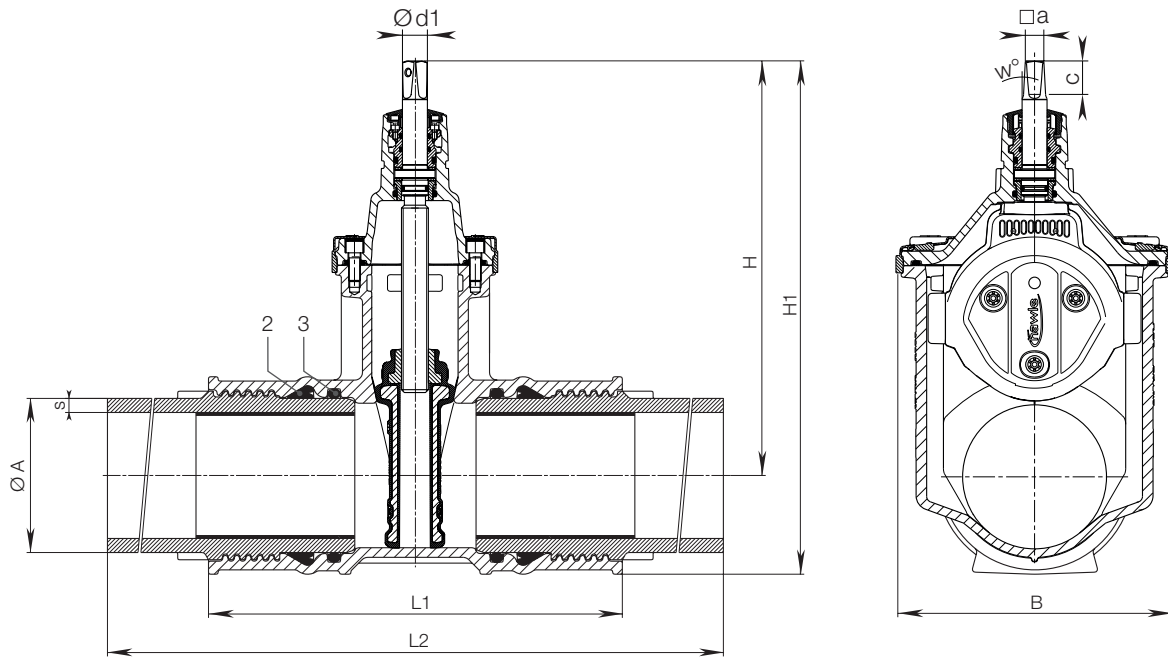
**No. 4051E3**



Order no.	MOP (PN)	Dimensions/DN Pipe Ø									
		50	65	80	100	100	125	150	150	200	200
4050E3	16	63	75	90	110	125	140	160	180	200	225
4051E3	10										

**PE-fusion tail:** No. 4050**E3** PN 16 / SDR 11  
 No. 4051**E3** PN 10 / SDR 17  
 (No. 4051**E3** PN 10 / SDR 17.6 on request)

**No. 4050E3**  
**No. 4051E3**



**PE-fusion tail:** No. 4050E3 PN 16 / SDR 11  
No. 4051E3 PN 10 / SDR 17  
(No. 4051E3 PN 10 / SDR 17.6 on request)

DN	ØA	Valve with PE tails							Spindle				Weight
		s (SDR 17)	s (SDR 11)	H	H1	L1	L2	B	□ a	c	w°	Ød1	
50	63	3,8	5,8	234	283	280	648	143	14,8	30	3°	20,5	11,0
65	75	4,5	6,8	305	361	295	657	180	17,3	35		24	17,0
80	90	5,4	8,2	313	377	310	668	180	17,3	35		24	19,0
100	110	6,6	10,0	343	419	340	710	213	19,3	38		24	26,0
100	125	7,4	11,4	343	428	395	761	213	19,3	38		24	30,5
125	140	8,3	12,7	421	513	390	756	285	19,3	38		26	31,5
150	160	9,5	14,6	433	536	430	796	285	19,3	38		26	50,0
150	180	10,7	16,4	433	548	458	814	285	19,3	38		26	57,5
200	200	11,9	18,2	541	679	514	900	357	24,3	48		30	88,0
200	225	13,4	20,5	541	679	514	900	357	24,3	48		30	90,0