

# E3 HAWLE-COMBIFLEX

DN 150, PN 10 | PN 16

## Design features

- Modular Combi-valve system enables flexible assembly arrangements
- Standardized compact construction regardless of valve configuration
- Suitable for cleaning with a cleaning pig
- Comprehensive range of interchangeable ZAK connections possible in every module
- Unique design facilitates easy, rapid exchange of any module
- Duplex stainless steel spindle

## Material | technical features

- 1 **Resilient seated E3 valve** according to EN 1074-1 and 1074-2
- 3 Molybdenum coated, A4 type **clamping ring bolts**
- 4/11 **ZAK-46** (4) or **ZAK-34** (11) socket for corrosion-free connection of sensors or ZAK Service valve
- 2/5/7/ 9/10 Hawle Combiflex **vertical outlet** (2) optionally DN 80 or DN 100 **end cap** (5), **clamping ring** (7), **middle section** DN 150 (9), **E3 body** (10) reduced in DN 80, DN 100, DN 125; DN 150; or expanded to DN 200: ductile iron, epoxy powder coated
- 6 HAWLE-COMBIFLEX **mounting frame**: ductile iron, epoxy powder coated, with ring bolts for fastening hoists and integrated rings for floor connections
- 8 **Quality inspection seal**
- 12 **Operating cap** made of aluminum, including covering cap with direction indicator
- 13 Vertical outlet with affixed flat elastomer gasket
- 14 **Outlet ET 1"**, optional (not installed)
- 15 **Anchoring system**, optional

## Suitable accessories

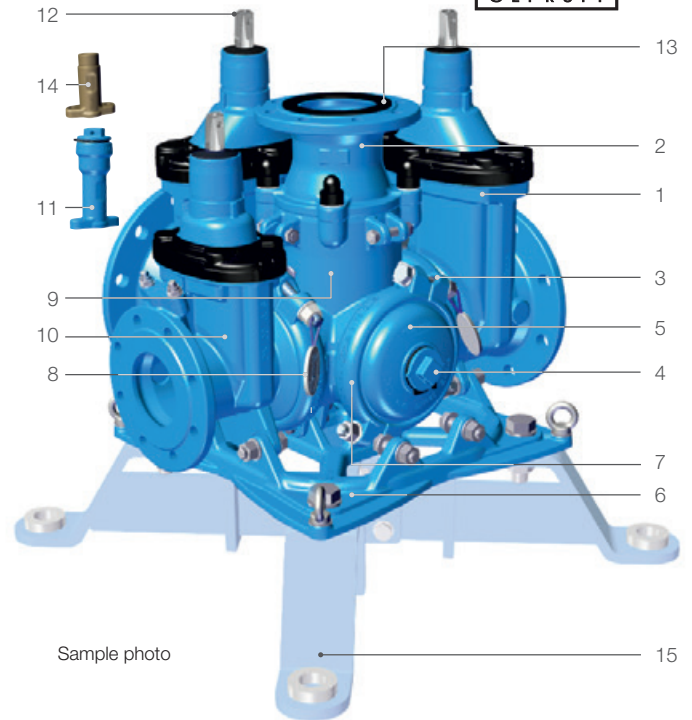
**Suitable accessories:** see page 48

- Handwheel: No. 7800
- Extension spindles: rigid No. 9000E2/E3  
telescopic No. 9500E2/E3
- Surface boxes: rigid No. 1750  
telescopic No. 2050, No. 2051K
- Operating cap: No. 2156, No. 2157, No. 2158
- Extension spindle: No. 7820, No. 7825
- Bolts: No. 8810, No. 8830, No. 8840
- Ground-distance sets: No. 8644
- Flat gasket: No. 3390, No. 3470
- Operating cap: No. 2157, No. 2158
- ET 1" outlet: No. 6979
- ZAK 34 outlet: No. 6979
- ZAK 34 plug: No. 6980
- Blanking cap: No. 8570E2/E3

Order no.	Version	MOP (PN)	Dimensions / DN	Possible reduction / DN	Possible vertical outlet / DN	Weight min. – max.
4420E3	Individually configurable	10/16	150	80	80/100	57 – 212
				100		
				125		
				150		
				200		

Flange sized and drilled in accordance with EN 1092-2 standard PN 10. Please specify PN 16 when ordering.  
Standard version inclusive operating caps (remove in case of actuation by extension spindle or handwheel)  
Please use the HAWLE-COMBIFLEX order form. It can be found on our homepage.

No. 4420E3

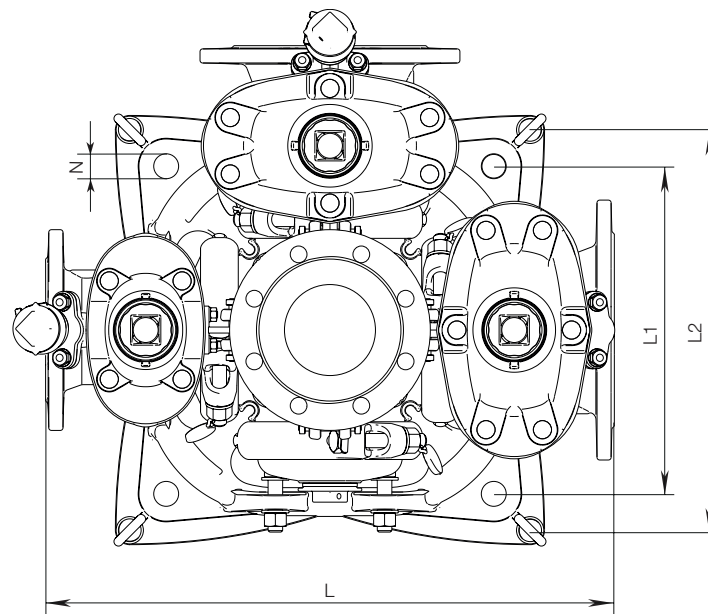
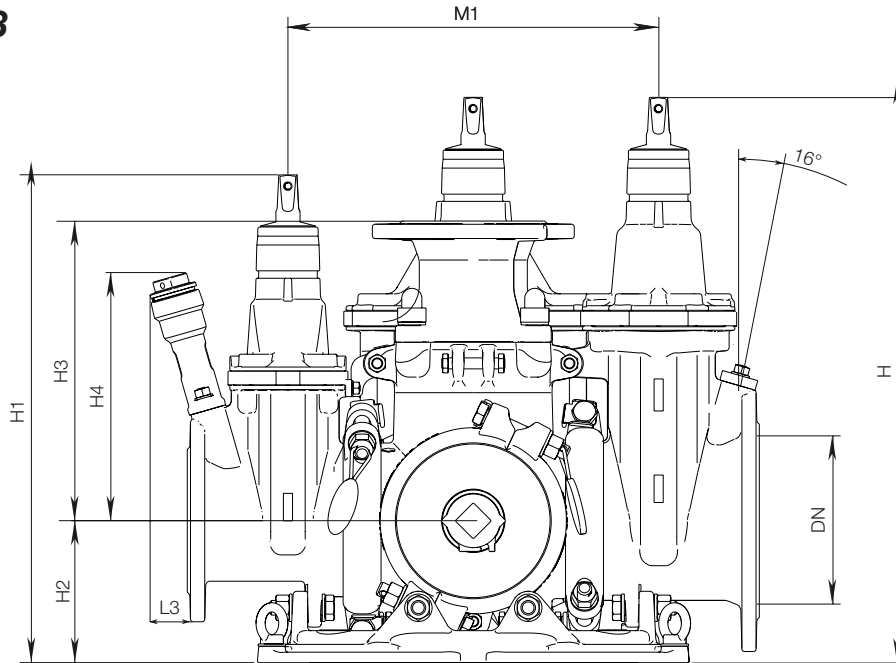


## Individual combination options

see page 30



### No. 4420E3



DN	HAWLE-COMBIFLEX												
	MOP (PN)	DN	L*	L1	L2	L3	H	H1	H2	H3	H4	M1*	Ø N
150	10/16	80	625	360	440	37	638	548	155	328	262	405	27,4
		100				40					271		
		125				38					284		
		150				40					298		
		200*				24					335		

\*The external dimensions (L, M1) remain the same with reducing valves!  
 \* height compensation due to flange necessary  
 #Transport dimensions = L