

# E3 COMBI-IV

Flanged T-piece with 4 flanged outlets and 2, 3 or 4 integral E3 valves, PN 10 | PN 16

## Design features

- Resilient seated gate valve combined with flange cross piece
- Space saving installation through short design as well as savings in material, work, transport and storage costs
- The compact design enables the valve chamber to be made from sectional concrete giving typical savings of 25 % in chamber construction costs
- Vertical connection DN 100 optional
- Internal thread connection 3/4" - optional for manometer, ball valve outlet etc.
- Flanges sized in accordance with EN 1092-2, drilled according EN 1092-2 | PN 10 standard; EN 1092-2 | PN 16 DN 200 please specify on order - other standards on request
- Suitable for cleaning with a cleaning pig
- Duplex stainless steel spindle

## Suitable accessories

**Suitable accessories:** see page 48

Handwheel:		No. 7800
Extension spindles:	rigid	No. 9000E2/E3
	telescopic	No. 9500E2/E3
Surface box:		No. 4550
Operating cap:		No. 2156, No. 2157, No. 2158
Extension spindle:		No. 7820, No. 7825
Position indicator:		No. 2170E2/E3
Bolts:		No. 8810, No. 8830, No. 8840
Flat gasket:		No. 3390, No. 3470
Blanking cap:		No. 8570E2/E3

No. 4400E3  
No. 4410E3



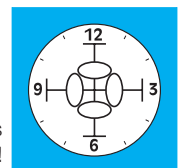
Instead of a bonnet, a cap No. 8570E2/E3 can be fitted onto the body of any outlet not requiring a valve



No. 4410E3 cross connection with 3 valves and vertical centre outlet



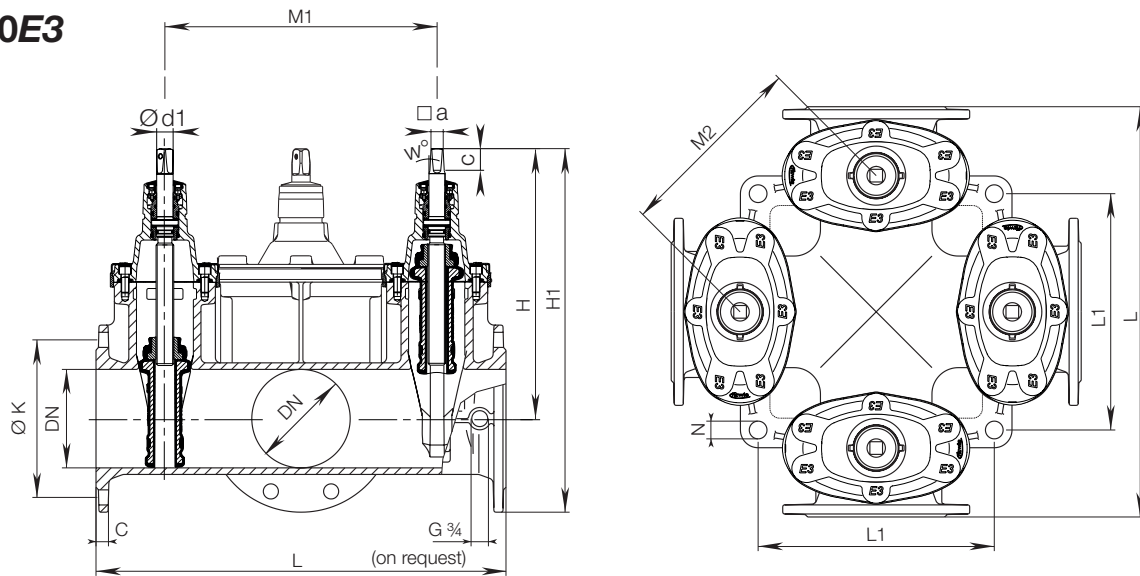
With 3 valves and no vertical outlet



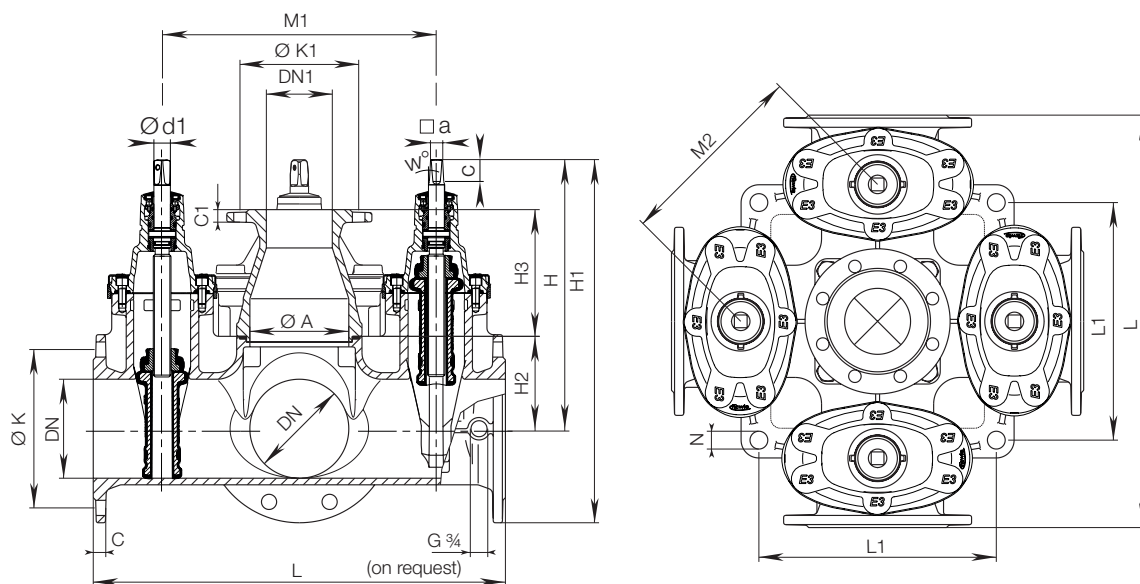
Please specify the arrangement of the valves in a clockwise direction!

Order no.	Version	MOP (PN)	No. of valves	Dimensions/DN				
				80	100	125	150	200
4400E3	Without vertical centre outlet	16	2					
			3					
			4					
4410E3	With vertical outlet	16	3					
			4					

**No. 4400E3**  
**No. 4410E3**



DN	E3 Combi IV without vertical centre outlet										Spindle			Weight (no. of valves)		
	L	H	H1	ØK	C	M1	M2	L1	N	□ a	c	w°	Ød1	2	3	4
80	435	313	413	160	19	255	180			17,3	35	3°	24	55,0	60,0	65,0
100	555	343	453	180	19	365	258	212	27	19,3	38		24	76,0	84,0	90,0
125	615	446	571	210	19	415	293,5	360	27	19,3	38		26	125,0	135,0	139,0
150	625	433	576	240	19	415	293,5	360	27	19,3	38		26	135,0	143,0	151,0
200	695	541	711	295	20	465	329	445	32	24,3	48		30	207,0	223,0	238,0



DN	E3 Combi IV with vertical centre outlet													Spindle			Weight (no. of valves)				
	ØA	DN1	L	L1	H	H1	H2	H3	C	C1	ØK	ØK1	M1	M2	N	□ a	c	w°	Ød1	3	4
100	100	100	555	212	343	453	90	+	19	+	180	+	365	258	27	19,3	38	3°	24	90,0	96,0
150	150	100	625	360	433	576	140	192	19	19	240	180	415	293,5	27	19,3	38		26	154,0	164,0
200	200	100	695	445	541	711	180	192	20	19	295	180	465	329	32	24,3	48		30		265,0

+ flange connection directly on the body - stud