

E3 VALVE FLANGE | PE TAIL

DN 50 – 200, PN 10 | PN 16

Design features

- Resilient seated gate valve with flange and PE fusion tail in combination with PE pipes according to EN 12201, DIN 8074
- This resilient seated valve has one flange and one PE tail screwed and sealed into the sockets
- High performance sealing of the PE tails within the sockets is assured by two separate seals and a support liner
- The valve can be connected to the PE pipeline by either butt fusion or electrofusion
- Flanges sized in accordance with EN 1092-2, drilled according to EN 1092-2 | PN 10 standard; EN 1092-2 | PN 16 DN 200 please specify on order - other standards on request
- One extension spindle for several dimensions
- Suitable for operation by automatic actuators
- Easy retrofitting of position indicator and automatic actuators on the standard bonnet
- Duplex stainless steel spindle

Standard version: without handwheel and extension spindle

Special versions: on request

No. 4090E3

No. 4091E3



Material | technical features

1 PE-fusion tail

Standard version PE 100 injection moulded

Support liner DN 50 made of POM, from DN 65 – DN 200 made of stainless steel for PE-fusion tail (see drawing)

2 **Socket sealing** made of elastomer

3 **O-Ring** made of elastomer

Suitable accessories

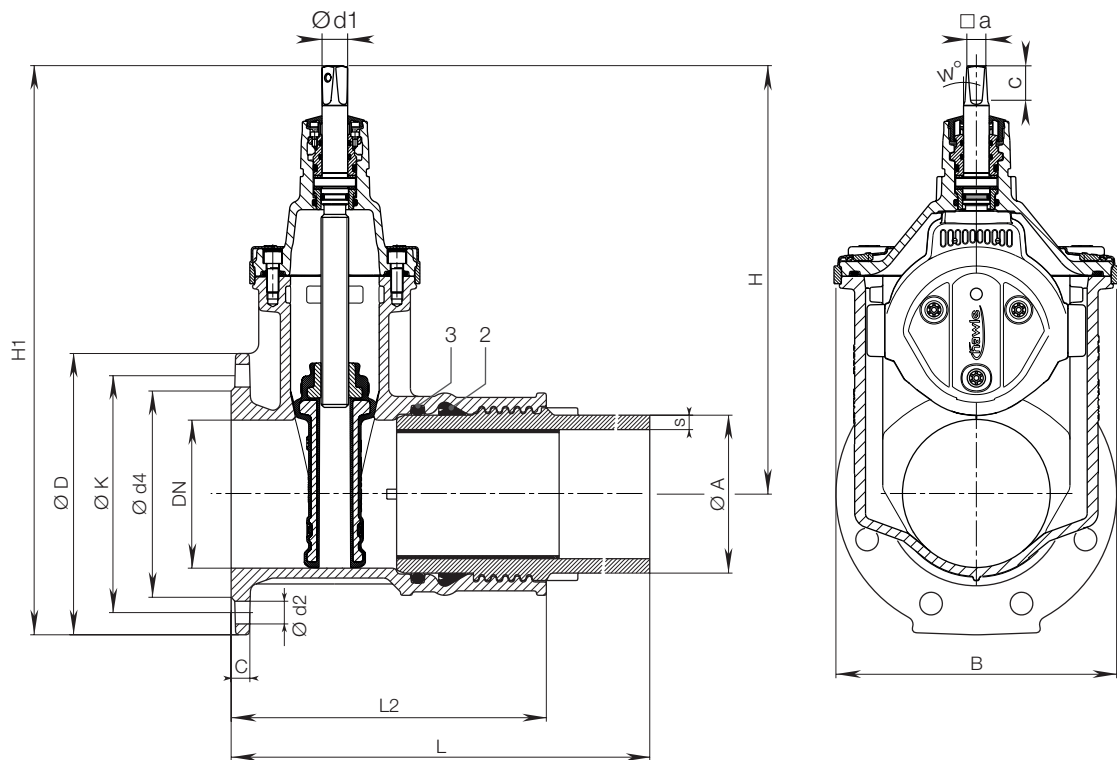
Suitable accessories: see page 48

Handwheel:		No. 7800
Extension spindles:	rigid	No. 9000E2/E3
	telescopic	No. 9500E2/E3
Surface boxes:	rigid	No. 1750
	telescopic	No. 2050, No. 2051K
Valve actuator:		No. 9920
Adapter for actuator (E2/E3 adapter):		No. 8630E2/E3
Base plate:		No. 3481, No. 3482
Operating cap:		No. 2156, No. 2157, No. 2158
Extension spindle:		No. 7820, No. 7825
Position indicator:		No. 2170E2/E3
Bolts:		No. 8810, No. 8830, No. 8840
HAWAK-pillar:		No. 9894, No. 9895
Flat gasket:		No. 3390, No. 3470

Order no.	MOP (PN)	Dimensions/DN Pipe Ø								
		50	65	80	100	100	125	150	150	200
4090E3	16	63	75	90	110	125	140	160	180	225
4091E3	10									

PE-fusion tail: No. 4090E3 PN 16 / SDR 11
 No. 4091E3 PN 10 / SDR 17
 (No. 4091E3 PN 10 / SDR 17.6 on request)

No. 4090E3
No. 4091E3



PE-fusion tail:

No. 4090E3 PN 16 / SDR 11
 No. 4091E3 PN 10 / SDR 17
 (No. 4091E3 PN 10 / SDR 17.6 on request)

DN	Ø Pipe	Flange				Bolts			Valve with PE tails						Spindle			Weight		
		ØD	C	ØK	Ød4	Qty.	Thread	Ød2	s (SDR 17)	s (SDR 11)	H	H1	L	L2	B	□ a	c		w°	Ød1
50	63	165	19	125	98	4	M 16	19	3,8	5,8	234	316	399	215	143	14,8	30	3°	20,5	11,5
65	75	185		145	118	4	M 16	19		6,8	305	397	416	235	180	17,3	35		24	17,0
80	90	200		160	133	8	M 16	19	5,4	8,2	313	413	425	245	180	17,3	35		24	18,0
100	110	220		180	153	8	M 16	19	6,6	10,0	343	453	450	265	213	19,3	38		24	25,0
100	125	220		180	153	8	M 16	19		11,4	343	453	476	293	213	19,3	38		24	26,5
125	140	250		210	183	8	M 16	19		12,7	421	546	485	310	285	19,3	38		26	38,0
150	160	285		240	209	8	M 20	23		14,6	433	576	503	320	285	19,3	38		26	44,5
150	180	285		240	209	8	M 20	23		16,4	433	576	512	334	285	19,3	38		26	49,5
200	225	340	20	295	264	8/12	M 20	23	13,4	20,5	541	711	565	372	357	24,3	48	30	78,0	