

E3 VRS-SOCKET VALVE

For cast iron pipes and pipes with VRS-socket, DN 80 – 300, PN 16

Design features

- Resilient seated gate valve with one-sided VRS-socket and one-sided VRS-spigot
- With VRS grip ring and VRS pipe restraint clamp (not included), a pipe connection can be made restraint
- Suitable for cleaning with a cleaning pig
- One extension spindle for several dimensions
- Suitable for operation by automatic actuators
- Easy retrofitting of position indicator and automatic actuators on the standard bonnet
- Duplex stainless steel spindle

Standard version: without handwheel and extension spindle

Material | technical features

- 1 **Socket sealing** made of elastomer
- 2 **Pipe restraint clamp** (not included)

No. 4027E3



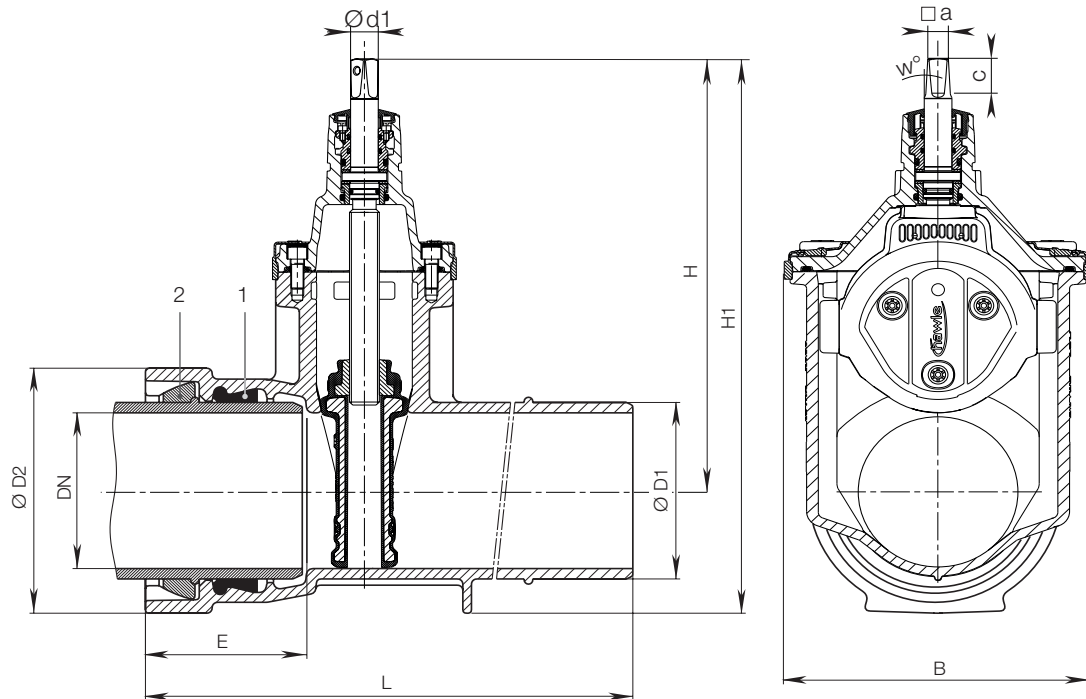
Suitable accessories

Suitable accessories: see page 48

Handwheel:		No. 7800
Extension spindles:	rigid	No. 9000E2/E3
	telescopic	No. 9500E2/E3
Surface boxes:	rigid	No. 1750
	telescopic	No. 2050, No. 2051K
Valve actuator:		No. 9920
Adapter for actuator (E2/E3 adapter):		No. 8630E2/E3
Base plate:		No. 3481, No. 3482
Operating cap:		No. 2156, No. 2157, No. 2158
Extension spindle:		No. 7820, No. 7825
Position indicator:		No. 2170E2/E3
HAWAK-pillar:		No. 9894, No. 9895

Order no.	Version	MOP (PN)	Dimensions/DN							
			80	100	125	150	200	250	300	
4027E3	Socket-Spigot	16								

No. 4027E3



DN	Ø Pipe	MOP (PN)	Valve							Spindle				Weight
			Ø D1	Ø D2	E	H	H1	L	B	□ a	c	w°	Ø d1	
80	98	16	98	156	127	313	391	422	180	17,3	35	3°	24	20,5
100	118		118	178	135	343	432	440	213	19,3	38		24	24,5
125	144		144	208	143	421	525	494	285	19,3	38		24	37,5
150	170		170	235	150	433	551	513	285	19,3	38		26	44,5
200	222		222	295	160	541	689	535	357	24,3	48		30	72,0
250	274		274	356	165	649	827	577	432	27,3	48		36	114,0
300	326		326	414	170	731	938	638	518	27,3	48		36	168,5