

E3 VALVE SPIGOT ENDS

PN 16

Design features

- Resilient seated gate valve with smooth straight-through bore
- The Hawle **E3** spigot valve with smooth spigot ends is a universal type, suitable for both flange as well as for socket connections
- Easy replacement of old flange valve to insertion of HAWLE-flange, as insertion of flat gaskets is not required; special lengths can even be produced through shortening of the spigot ends
- The outside diameters of the spigot ends correspond to that of the cast iron pipes (other size on request)
- Suitable for cleaning with a cleaning pig
- One extension spindle for several dimensions
- Suitable for operation by automatic actuators
- Easy retrofitting of position indicator and automatic actuators on the standard bonnet

Standard version: without flanges, handwheel and extension spindle

No. 4100E3



No. 4140E3



Suitable accessories

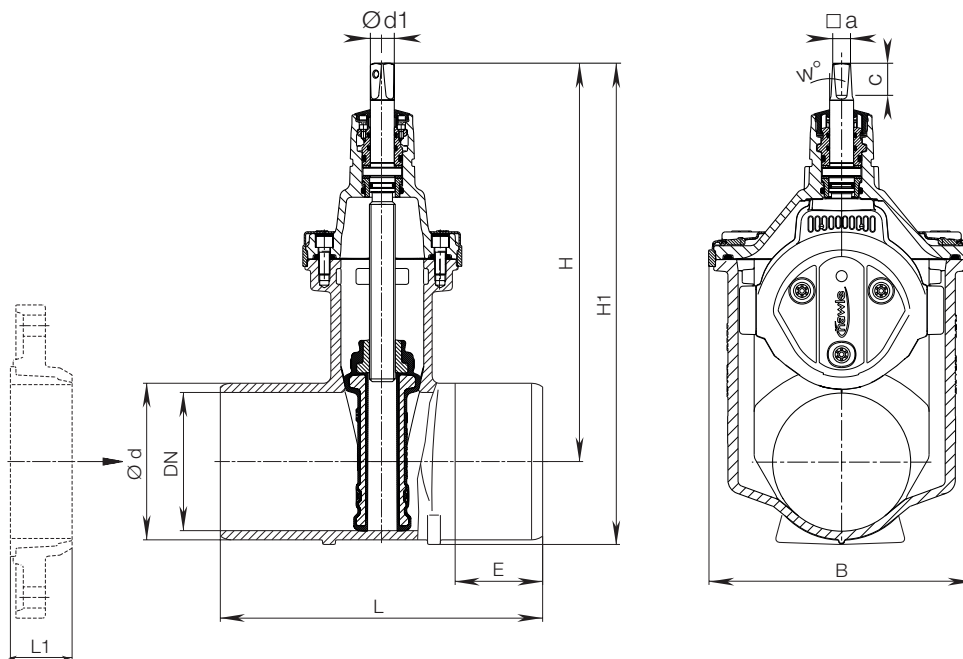
Suitable accessories: see page 48

Flange:		No. 7102 No. 0102
Handwheel:		No. 7800
Extension spindles:	rigid	No. 9000 E2/E3
	telescopic	No. 9500 E2/E3
Surface boxes:	rigid	No. 1750
	telescopic	No. 2050 No. 2051K
Valve actuator:		No. 9920
Adapter for actuator (E2/E3 adapter):		No. 8630 E2/E3
Base plate:		No. 3481, No. 3482
Operating cap:		No. 2156, No. 2157, No. 2158
Extension spindle:		No. 7820, No. 7825
Position indicator:		No. 2170 E2/E3
Bolts:		No. 8810, No. 8830, No. 8840
HAWAK-pillar:		No. 9894, No. 9895

Order no.	Version Face-to-face length	MOP (PN)	Dimensions/DN												
			50	65	80	100	125	150	200	250	300	400			
4100E3	Standard	16												*	
4140E3	600 mm														
	810 mm														
	860 mm														

*in preparation

No. 4100E3
No. 4140E3



For a shorter face-to-face dimension, shorten the spigot ends¹⁾ and assemble with HAWLE flanges No. 7102 / No. 0102
(see water catalogue chapter „Flange connections”)

Caution: Compare flange length „L 1” with spigot length „E”

¹⁾ Protect cutting surfaces against corrosion with Hawle repair material No. 3442 (see water catalogue page P 5/2)

DN	MOP (PN)	Valve					Spindle				Weight	
		Ø d*	L	E	H	H1	B	□ a	c	w°		Ø d1
50	16	66	250	80	234	270	143	14,8	30	3°	20,5	8,0
65		82	270	85	305	350	180	17,3	35		24	12,0
80		98	280	85	313	366,5	180	17,3	35		24	13,5
			600	245								
100		118	300	90	343	408	213	19,3	38		24	18,0
			600	240								
125		144	325	95	421	498	285	19,3	38		26	28,5
200		222	400	115	541	657	357	24,3	48		30	55,0
				600								
250		274	450	120	649	792	432	27,3	48		34	91,0
				810								
300		326	500	120	731	897	518	27,3	48		34	139,0
				860								
400*	429	600	133	925	1149	687	32,3	55	44	267,0		

*in preparation

*Other outside diameters on request