

WESAN WP G

Bulk Water Meter | Woltman

DIEHL
Metering



APPLICATION

The bulk water meter WESAN WP G can be used for measuring the flow in supply lines with high flow at low pressure loss.

FEATURES

- ▶ Calibratable and exchangeable measuring insert
- ▶ For horizontal and vertical installation
- ▶ Sealed measuring insert for better accuracy
- ▶ Hydraulic bearing relief
- ▶ Encapsulated counter of glass/copper IP 68
- ▶ Complete head unit with counter and sensors can be rotated by 350° for easier reading
- ▶ System compatibility, WESAN WP G can be extended with IZAR RADIO (clip on radio module) or IZAR PULSE (clip on pulse module)
- ▶ Strong protection against magnetic manipulation

WESAN WP G

Bulk Water Meter | Woltman

GENERAL

WESAN WP G		
Medium temperature range	°C	1 ... 30
Temperature safety	°C	1 ... 50
Ambient operating temperature	°C	1 ... 55
Ambient storage temperature	°C	1 ... 55
Nominal pressure	PN bar	16 ¹
Protection class		IP 68

¹ special versions on request

TECHNICAL DATA

Nominal diameter	DN	mm	50	65	80	100	125
Permanent flow rate	Q ₃	m ³ /h	40	63	100	160	160
Starting flow rate		l/h	90	130	160	190	190
Minimum flow rate	Q ₁	m ³ /h	0.63	0.63	1	1.6	1.6
Transitional flow rate	Q ₂	m ³ /h	1.02	1.01	1.6	2.56	2.56
Overload flow rate	Q ₄	m ³ /h	50	78.75	125	200	200
Flow rate at 0.1 bar pressure loss		m ³ /h	29	50	95	95	95
Pressure loss at Q ₃		bar	0.19	0.16	0.14	0.28	0.29

Nominal diameter	DN	mm	150	200	250 ²	300 ²
Permanent flow rate	Q ₃	m ³ /h	250	250	1000	1600
Starting flow rate		l/h	1500	2500	5000	10000
Minimum flow rate	Q ₁	m ³ /h	5	5	10	16
Transitional flow rate	Q ₂	m ³ /h	8	8	16	25.6
Overload flow rate	Q ₄	m ³ /h	312.5	312.5	1250	2000
Flow rate at 0.1 bar pressure loss		m ³ /h	290	550	800	1250
Pressure loss at Q ₃		bar	0.08	0.02	0.16	0.16

² only available without approval

APPROVAL

Nominal diameter	DN	mm	50	65	80	100	125
MID (DE-13-MI001-PTB005)			•	•	•	•	•
Dynamic range (Q ₃ /Q ₁)	R ³		63•H	100	100	100	100
Potable water			KTW / W270	KTW / W270	KTW / W270	KTW / W270	KTW / W270

Nominal diameter	DN	mm	150	200	250 ²	300 ²
MID (DE-13-MI001-PTB005)			•	•	-	-
Dynamic range (Q ₃ /Q ₁)	R ³		50	50	100	100
Potable water			KTW / W270	KTW / W270	KTW / W270	KTW / W270

² only available without approval

³ standard dynamic other dynamics on request

DISPLAY RANGE

Nominal diameter	DN	mm	50	65	80	100	125
0.5 l ... 999,999 m ³			•	•	•	•	•
5.0 l ... 9,999,999 m ³			-	-	-	-	-

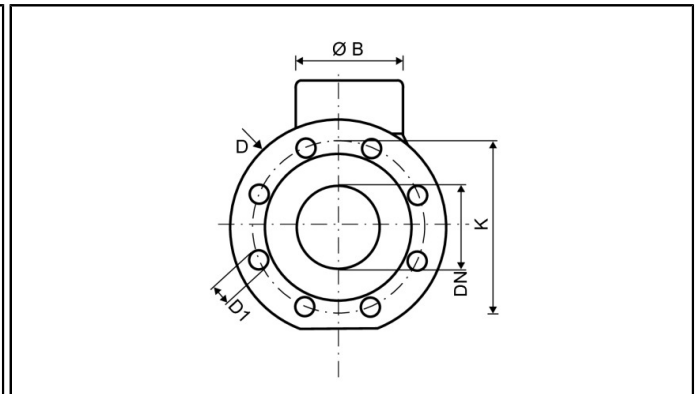
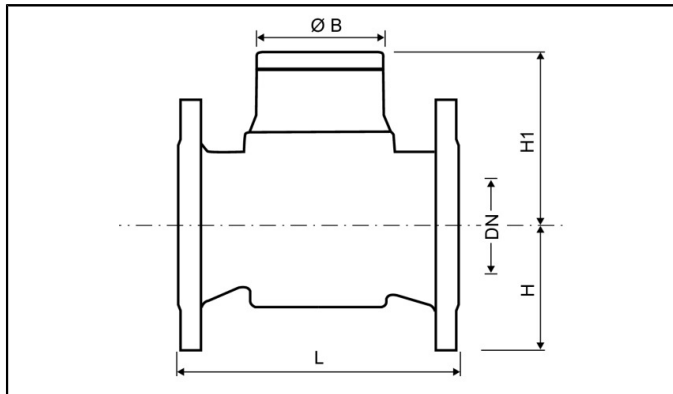
Nominal diameter	DN	mm	150	200	250 ²	300 ²
0.5 l ... 999,999 m ³			-	-	-	-
5.0 l ... 9,999,999 m ³			•	•	•	•

² only available without approval

WESAN WP G

Bulk Water Meter | Woltman

DIMENSIONS



Nominal diameter	DN	mm	50	65	80	100	125
Overall length	L	mm	200 / 300	200	200 ⁴ / 225 / 350 ⁴	250 / 350 ⁴	250
Flange diameter	D	mm	165	185	200	220	250
Hole circle diameter PN 10 / PN 16	K	mm	- / 125	- / 145	160 / 160	- / 180	- / 210
Number of screwholes PN 10 / PN 16		pcs	- / 4	- / 4	4 / 8	- / 8	- / 8
Screwhole diameter PN 10 / PN 16	D1	mm	- / 18	- / 18	18 / 18	- / 18	- / 18
Height	H	mm	75	83	89	105	115
Height	H1	mm	103	103	134	134	134
Height to remove measuring insert		mm	205	205	255	255	255
Meter width		mm	155	155	200	220	250
Diameter	Ø B	mm	110	110	110	110	110
Weight		kg	10.2	11.2	13	16	21.5

Nominal diameter	DN	mm	150	200	250 ²	300 ²
Overall length	L	mm	300	350	450	500
Flange diameter	D	mm	285	340	405	460
Hole circle diameter PN 10 / PN 16	K	mm	- / 240	295 / 295	350 / 355	400 / 410
Number of screwholes PN 10 / PN 16		pcs	- / 8	8 / 12	12 / 12	12 / 12
Screwhole diameter PN 10 / PN 16	D1	mm	- / 22	22 / 22	23 / 27	23 / 27
Height	H	mm	135	163	193	230
Height	H1	mm	225	225	222	270
Height to remove measuring insert		mm	255	455	452	500
Meter width		mm	285	340	405	460
Diameter	Ø B	mm	110	110	110	110
Weight		kg	39	47	75	165

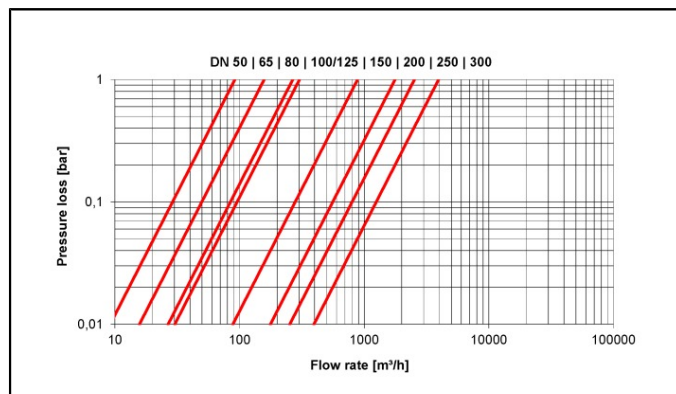
² only available without approval

⁴ special body lengths on request

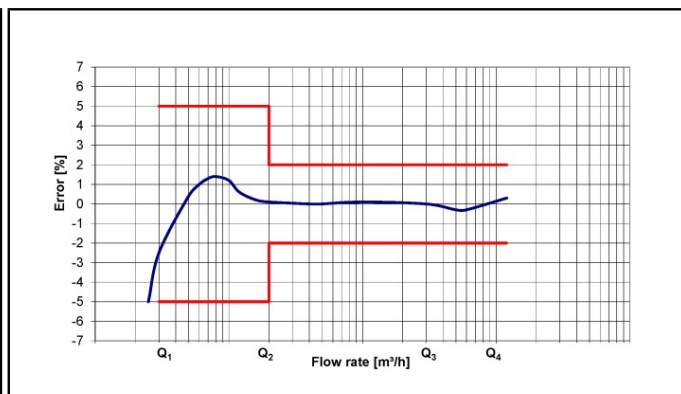
WESAN WP G

Bulk Water Meter | Woltman

PRESSURE LOSS GRAPH / TYPICAL ERROR GRAPH



Pressure loss graph



Typical error graph