

# WESAN WPV G

Bulk Waster Meter | Woltman

**DIEHL**  
Metering



## APPLICATION

Meter for measuring heavily fluctuating flow rates.

## FEATURES

- ▶ Calibratable and exchangeable measuring insert in one unit, suitable for calibration comprising: measuring insert as main meter, switch-over valve, measuring capsule as bypass meter
- ▶ Ideal design of housing and housing cover prevents sedimentation, stagnant water and air pockets
- ▶ Bypass line integrated in housing cover. No risk of sedimentation or corrosion.
- ▶ No measuring errors in the switch-over range
- ▶ Measuring capsule as bypass meter and non-return valve easily replaced on site
- ▶ Encapsulated counter of glass/copper IP 68
- ▶ Good long-term measuring accuracy
- ▶ Complete head unit with counter and sensors can be rotated by 350° for easier reading
- ▶ System compatibility, WESAN WPV G can be extended with IZAR RADIO (clip on radio module) or IZAR PULSE (clip on pulse module)
- ▶ In order to secure a safe switch-over the WESAN WPV G needs a minimum ingoing pressure of 0.6 bar

# WESAN WPV G

Bulk Waster Meter | Woltman

## GENERAL

WESAN WPV G		
Medium temperature range	°C	1 ... 30
Temperature safety	°C	1 ... 50
Ambient operating temperature	°C	1 ... 55
Ambient storage temperature	°C	1 ... 55
Nominal pressure	PN bar	16 <sup>1</sup>
Display range		0.5 l ... 999,999 m <sup>3</sup>
Protection class		IP 68
Available bypass meters		ALTAIR MCI

<sup>1</sup> versions with different nominal pressure on request (see also special versions)

## TECHNICAL DATA

Nominal diameter	DN	mm	50	80	100
Permanent flow rate	Q <sub>3</sub>	m <sup>3</sup> /h	25	63	100
Minimum flow rate	Q <sub>1</sub>	l/h	25 <sup>2</sup>	25 <sup>2</sup>	25 <sup>2</sup>
Transitional flow rate	Q <sub>2</sub>	l/h	40 <sup>2</sup>	40 <sup>2</sup>	40 <sup>2</sup>
Overload flow rate	Q <sub>4</sub>	m <sup>3</sup> /h	31.25	78.75	125
Starting flow rate		l/h	2 <sup>2</sup>	2 <sup>2</sup>	2 <sup>2</sup>
Permanent flow rate bypass meter	Q <sub>3</sub>	m <sup>3</sup> /h	4	4	4
Switch-over flow rate rising		m <sup>3</sup> /h	2.2	2.7	2.4
Switch-over flow rate falling		m <sup>3</sup> /h	0.9	1.1	1.2

<sup>2</sup> with bypass meter ALTAIR MCI

## APPROVAL

Nominal diameter	DN	mm	50	80	100
MID (DE-16-MI001-PTB002)			•	•	•
Dynamic range bypass meter					
ALTAIR MCI (Q <sub>3</sub> /Q <sub>1</sub> )	R		1000	2500	4000
Potable water			KTW / W270	KTW / W270	KTW / W270

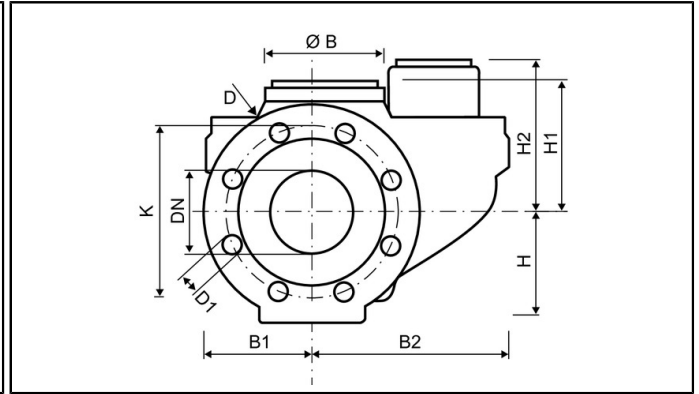
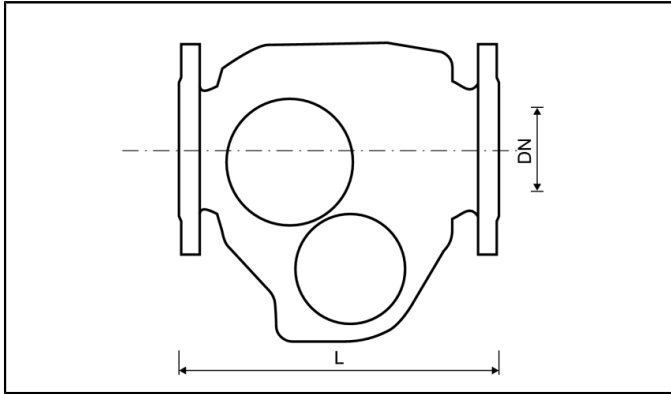
## SPECIAL VERSIONS

- Versions with different nominal pressure on request
- Special flange holes on request

# WESAN WPV G

Bulk Waster Meter | Woltman

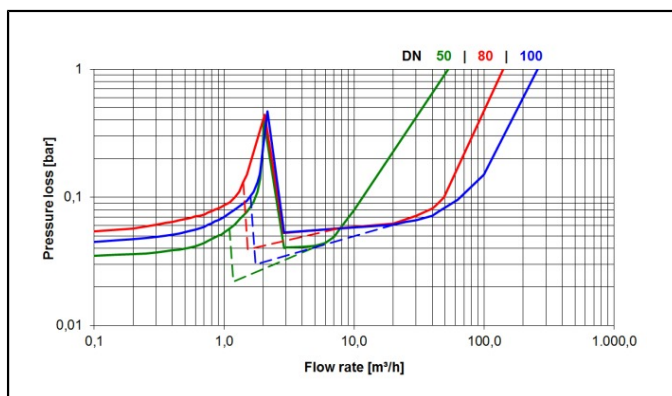
## DIMENSIONS



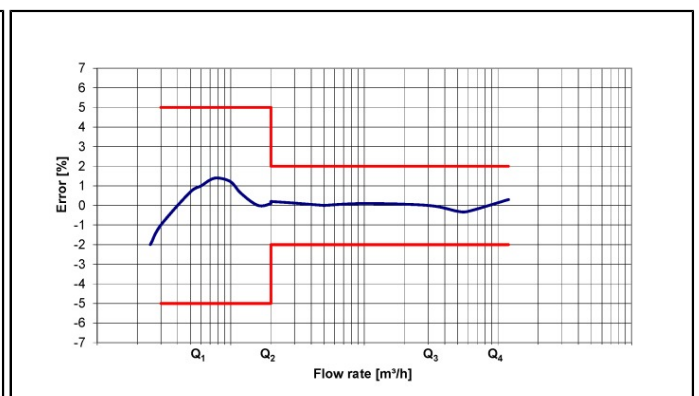
	DN	mm	50	80	100
Nominal diameter	DN	mm	50	80	100
Overall length (DIN 19625)	L	mm	270	300	360
Overall length (DIN ISO 4064)	L	mm	-	300	350
Flange diameter	D	mm	165	200	220
Hole circle diameter	K	mm	125	160	180
Number of screwholes		pcs	4	8 / 4	8
Screwhole diameter	D1	mm	18	18	18
Height	H	mm	76	105	101
Height	H1	mm	115	135	140
Height	H2	mm	174 <sup>2</sup>	175 <sup>2</sup>	146 <sup>2</sup>
Height to remove measuring insert		mm	250 <sup>2</sup>	280 <sup>2</sup>	280 <sup>2</sup>
Width	B1	mm	85	100	110
Width	B2	mm	160	180	180
Diameter	Ø B	mm	110	110	110
Weight of complete meter		kg	17.4	25.5	29
Weight of measuring insert		kg	6.3	9.3	9.3

<sup>2</sup> with bypass meter ALTAIR MCI

## PRESSURE LOSS GRAPH / TYPICAL ERROR GRAPH



Pressure loss graph



Typical error graph