

E3 GATE VALVE

With flange DN 50-200, PN 10 | PN 16 | PN 25

Design features

- Resilient seated gate valve with smooth straight-through bore
- Flanges sized in accordance with EN 1092-2, drilled according to
EN 1092-2 | PN 10 standard (4000E3, 4700E3);
EN 1092-2 | PN 25 (4010E3, 4710E3)
EN 1092-2 | PN 16 from DN 200 (4000E3, 4700E3)
Please specify on order - other standards on request
- Suitable for cleaning with a cleaning pig
- One extension spindle for several dimensions
- Suitable for operation by automatic actuators
- Easy retrofitting of position indicator and automatic actuators on the standard bonnet
- Duplex stainless steel spindle

Standard version: without handwheel and extension spindle

Design versions: for actuator: No. 4000ELE3
with position indicator: No. 4000STE3
for seawater: No. 4002E3,
No. 4702E3

Special versions: on request

Suitable accessories

Suitable accessories: see page 48

Handwheel: No. 7800
Extension spindles: rigid No. 9000E2/E3
telescopic No. 9500E2/E3
Surface boxes: rigid No. 1750
telescopic No. 2050
No. 2051K
Valve actuator: No. 9920
Adapter for actuator (E2/E3 adapter): No. 8630E2/E3
Base plate: No. 3481, No. 3482
Operating cap: No. 2156, No. 2157, No. 2158
Extension spindle: No. 7820, No. 7825
Position indicator: No. 2170E2/E3
Bolts: No. 8810, No. 8830, No. 8840
HAWAK-pillar: No. 9894, No. 9895
Flat gasket: No. 3390, No. 3470

No. 4000E3
No. 4700E3
No. 4010E3
No. 4710E3
No. 4060E3*



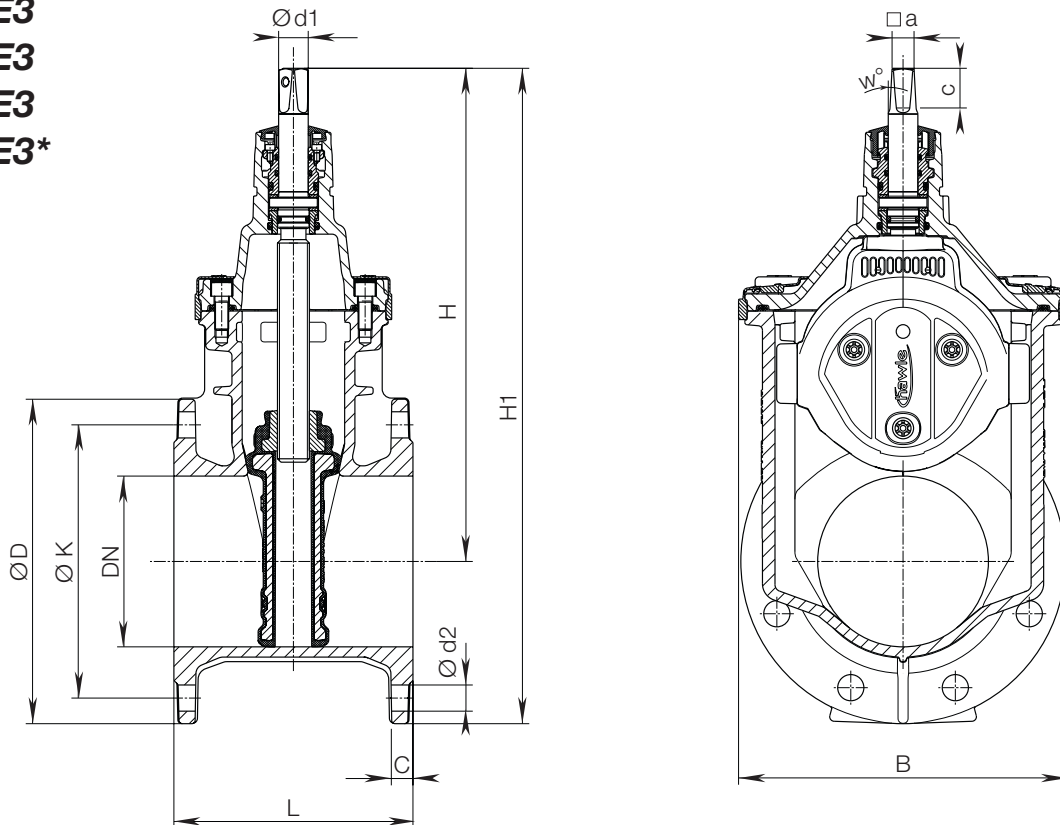
Order no.	Version	MOP (PN)	Dimensions/DN							
			50	65	80	100	125	150	200	
4000E3	short EN 558-1 GR 14	16								
4700E3	long EN 558-1 GR 15	16								
4010E3	short EN 558-1 GR 14	25								
4710E3	long EN 558-1 GR 15	25								
4060E3*	to BS 5163	16			*	*		*	*	

*in preparation

Application examples



No. 4000E3
No. 4700E3
No. 4010E3
No. 4710E3
No. 4060E3*



DN	MOP (PN)	Flange			Bolts		Spindle			Valve						Weight				
		ØD	C	ØK	Qty.	Thread	Ød2	□ a	c	w°	Ød1	H	H1	L short	L long	BS 5163	B	short	long	BS 5163
50	10	165	19	125	4	M 16	19	14,8	30	20,5	234	316,5	150	250		143	10,0	10,0		
	16																10,0			
	25																			
65	10	185	19	145	4	M 16	19	17,3	35	24	305	397,5	170	270		180	15,5	15,5		
	16																16,0			
	25*																8			
80	10	200	19	160	8	M 16	19	17,3	35	24	312,5	412,5	180	280	203	180	16,5	20,0	19,0	
	16																18,0			
	25*																			
100	10	220	19	180	8	M 16	19	19,3	38	3°	24	343	453	190	300	229	212	20,5	25,5	26,0
	16																	24,5		
	25*																	235	190	M 20
125	10	250	19	210	8	M 16	19	19,3	38	26	421	546	200	325		289	33,0	33,0		
	16																34,0			
	25*																270	220	M 24	28
150	10	285	19	240	8	M 20	23	19,3	38	26	433	576	210	350	267	289	37,5	37,5	45,0	
	16																40,0	49,0		
	25*																300	250	M 24	28
200	10	340	20	295	8	M 20	23	24,3	48	30	541	711	230	400	292	356	61,0	71,5	67,5	
	16																67,0	79,0		
	25*																360	310	12	M 24

*in preparation