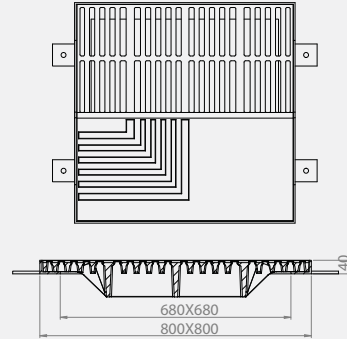
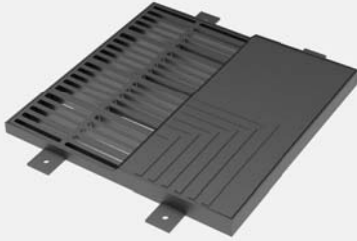


GULLY GRATINGS

NEW PRODUCT

Product Code : 1131

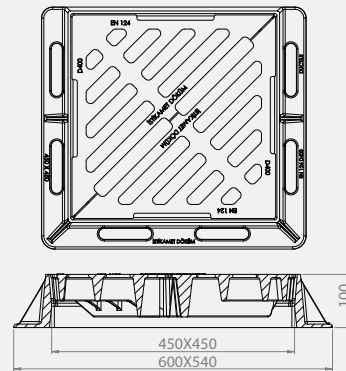


• Ductile iron



Product Code	Class	Dimensions (mm)			Weight (kg)
		A	O	H	
ID1131	D400	800X800	680X680	40	78

Product Code : 2002



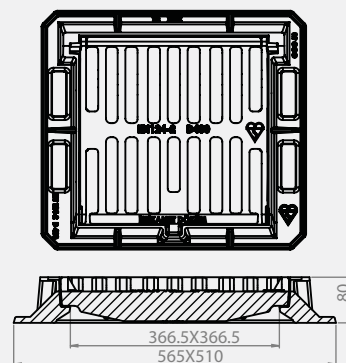
• Ductile iron



Product Code	Type	Class	Dimensions (mm)					Weight (kg)
			A	B	C	O	H	
ID2002	Kerb	D400	540	600	□480	□450	100	47

NEW PRODUCT

Product Code : 2006-15



• Ductile iron
• Automatic locking
• 116° openable hinge



Product Code	Class	Dimensions (mm)			Weight (kg)
		A	O	H	
ID2006-15	D400	565X510	366,5X366,5	80	30,5