

# IZAR RADIO COMPACT INDUCTIVE

RADIO MODULE

**EWT**



## APPLICATION

The new generation of IZAR RC i radio is devoted to remote meter reading. The IZAR RC i modules can be clipped onto all the meters of the new Sappel inductive modular range (Ti). They comprise the new sensor operating on inductive principle. The radio operate under PRIOS protocol at a frequency of 868 or 434 MHz. They are compatible with Sappel modular meters. The IZAR radio units are easy to fit and are field programmable with the identification number of the associated meter.

IZAR RC i radio modules transmit the meter reading via an unidirectional radiolink each 8 seconds. IZAR RC i radio offers a number of functions and alarms. One fixed battery enables independent operation for approximately 15 years of standard use.

## FEATURES

- ▶ Radio emitter compact
- ▶ Compatible with a modular meter inductive technology
- ▶ Available in 868 MHz and 434 MHz
- ▶ IP 68
- ▶ Typical lifetime 15 years
- ▶ Different functions and alarms
- ▶ Insensitive to magnetic fraude
- ▶ New fixing principle

# IZAR RADIO COMPACT INDUCTIVE

## RADIO MODULE

### PRINCIPLE OF OPERATION

IZAR RC i includes an electronic circuit that picks up the data sent by an emitter and stores it in a memory. IZAR RC i transmits the index and other operating information every eight seconds.

#### Walk-by/Drive-by :

The IZAR HANDHELD PSION\* equipped with an IZAR RECEIVER BLUETOOTH is first loaded with the reading round data. It collects the reading information and directly transfers it to the central computer system.

#### Fixed network :

A fixed IZAR RECEIVER GPRS/LAN installed in buildings will collect the data from all the IZAR RC/RE information, memorized it, and send it each day for example through GPRS/LAN to a centralized server.

(\*) The IZAR system is compatible with other handheld computers as well. Please contact us.

### TECHNICAL DATA

IZAR RADIO COMPACT INDUCTIVE		
Communication protocol		PRIOS
Frequency	MHz	868 / 434
Modulation		FSK
Transmission power	mW	16
Transmission mode		unidirectional
Radio range		Up to 500 m depending on the environment
Approval		EN 300 220, CE RTTE
Power supply		1× lithium 3.6 fixed
Typical life		15 years*

\* Standard conditions of use and temperature. Theoretical life, with no guarantee. See technical manual NT 079 / NT 084.

### AMBIENT CONDITIONS

IZAR RADIO COMPACT INDUCTIVE		
Operating temperature range	°C	-15..+55
Storage temperature range	°C	-20..+70
Ambient humidity	%	0..100
Degree of protection		IP 68
ATEX		On request

### PROGRAMMING

IZAR RADIO COMPACT INDUCTIVE	
Interface	Optical IrDA

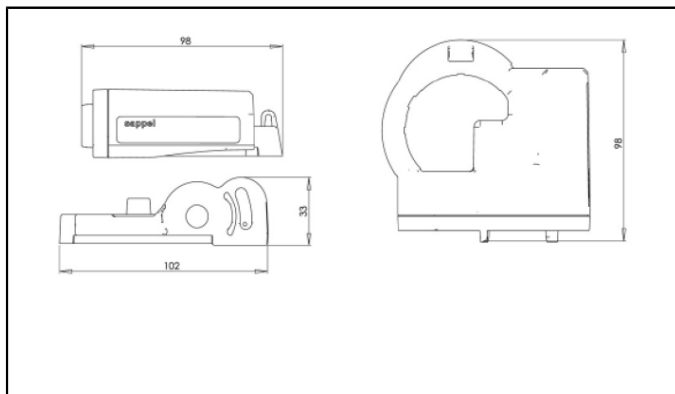
### COMPATIBILITY

IZAR RADIO COMPACT INDUCTIVE	
Meters	Sappel inductive modular range (Ti). Pulse weight DN15 to DN40 mm (1 liter) / Pulse weight DN50 to DN100 mm (10 liters)

# IZAR RADIO COMPACT INDUCTIVE

RADIO MODULE

## DIMENSIONS



IZAR RADIO COMPACT INDUCTIVE			
Length	L	mm	100
Height	H	mm	33
Width	W	mm	100

**HYDROMETER**

HYDROMETER GmbH · Postfach 1462 · 91505 Ansbach  
Tel. +49 981 1806-0 · Fax: +49 981 1806-615 · info@hydrometer.de · www.hydrometer.de  
Technische Änderungen vorbehalten

 smart in solutions

03.03.2010 - 3